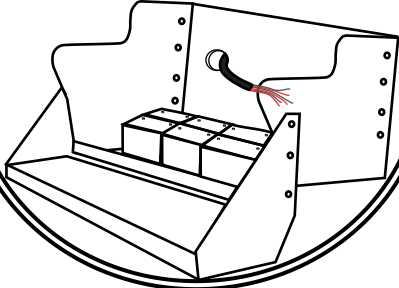


Ken -2147, 2148

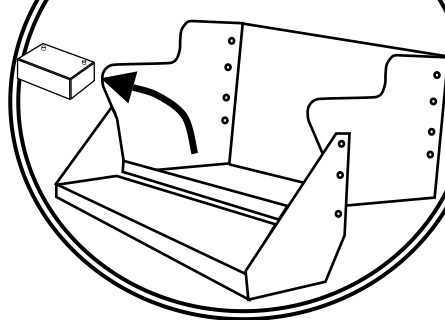
Step 1

Remove the ground cable from all the battery's before removing the power cable. Remove all the wires from the battery's before. Removing the metal box.



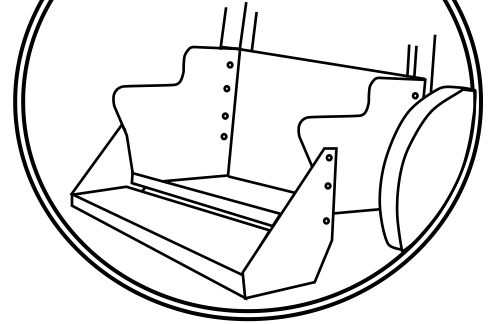
Step 2

Remove all the battery's. Remove the original battery box from the truck.



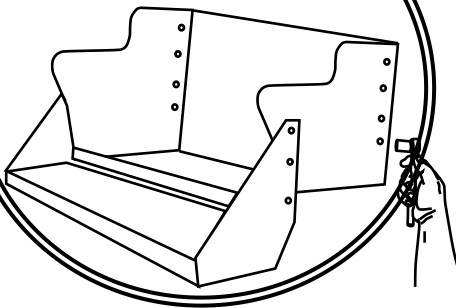
Step 3

Mount the new box in the same place.



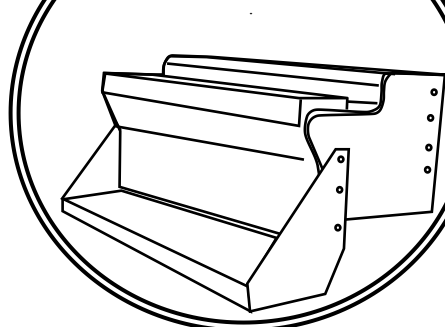
Step 4

One person holds the box while you insert the screws. Once all the screws are in, tighten them evenly.



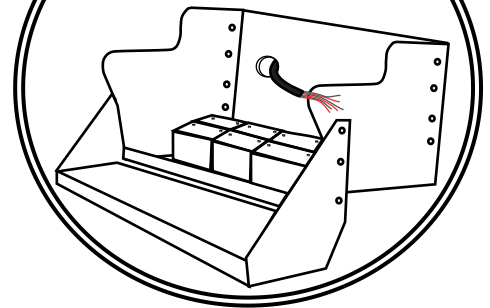
Step 5

Please the battery's back in box & reconnect the all the wire's.



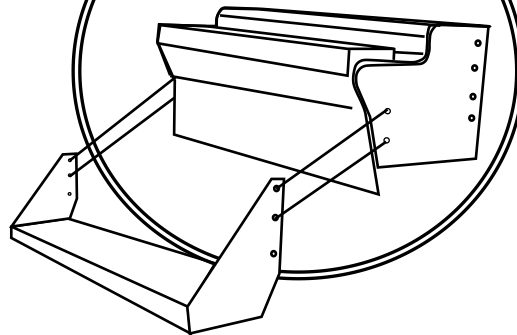
Step 6

Mount the lid on top of the battery box & drill holes to mount.



Step 7




Bolt the step together. Mount to outer sides of the box base. You are finished! Clean with windex



Notes

- Take all safety precautions prior to installation.
- Installation requires two people.
-

Bolt Kit

	QTY: 12	Hex Head	3/8 - 16 x 1 1/4
	QTY: 12	Finished Hex Nut	3/8 - 16
	QTY: 24	Flat Washer	1/4 x 3/8

